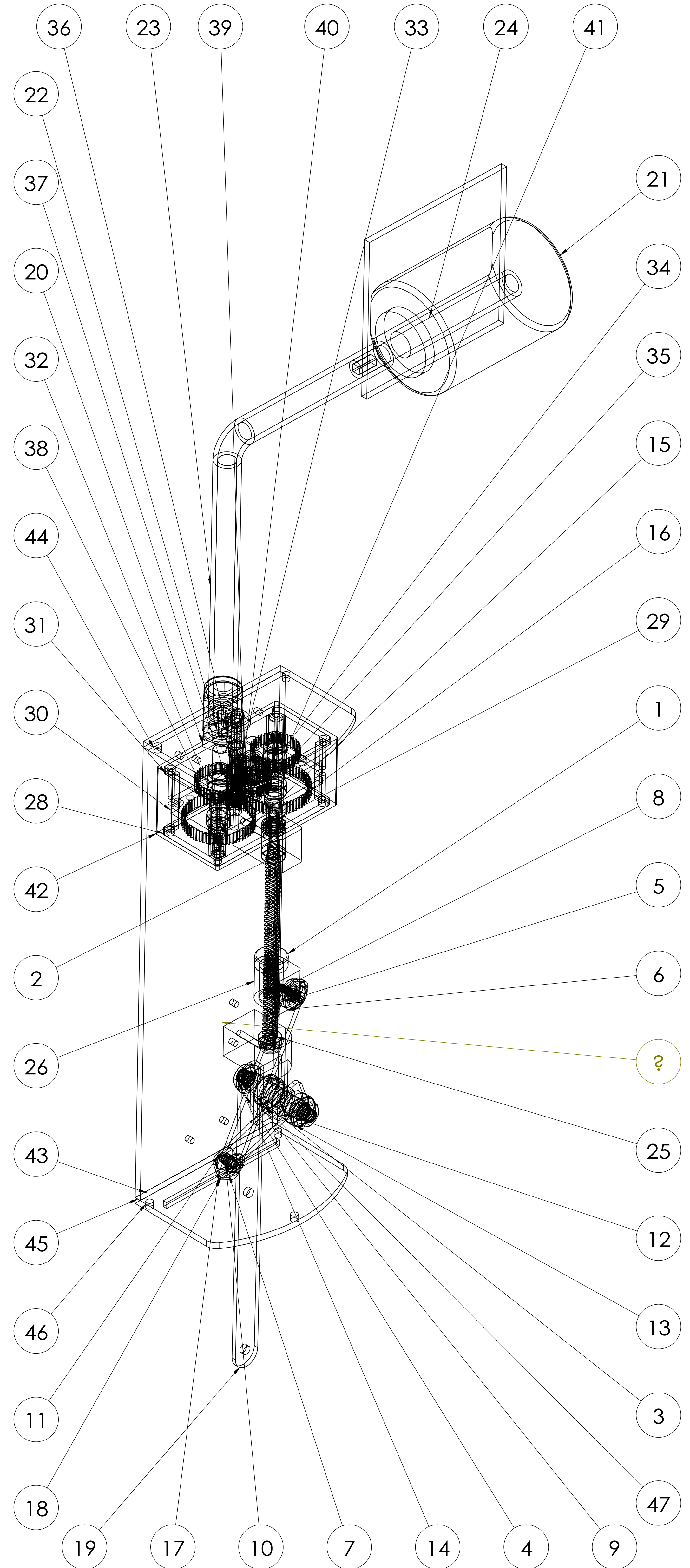
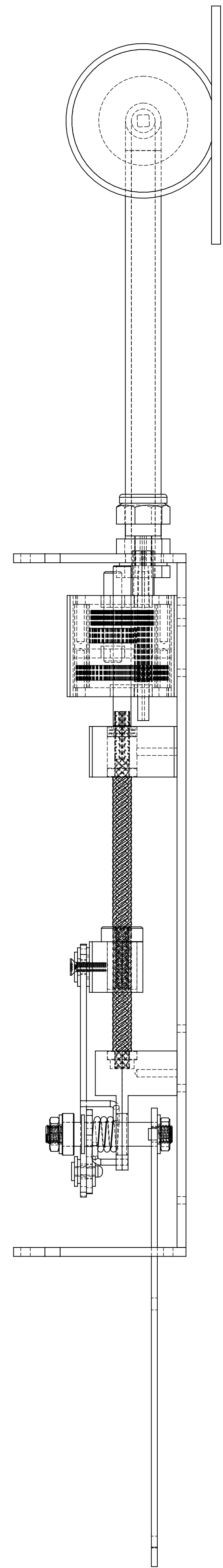
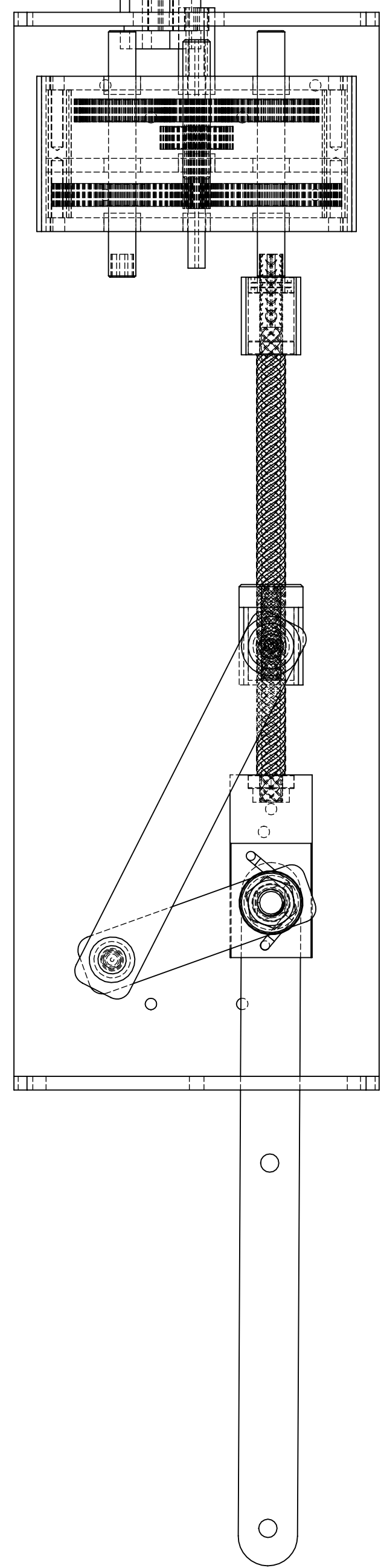
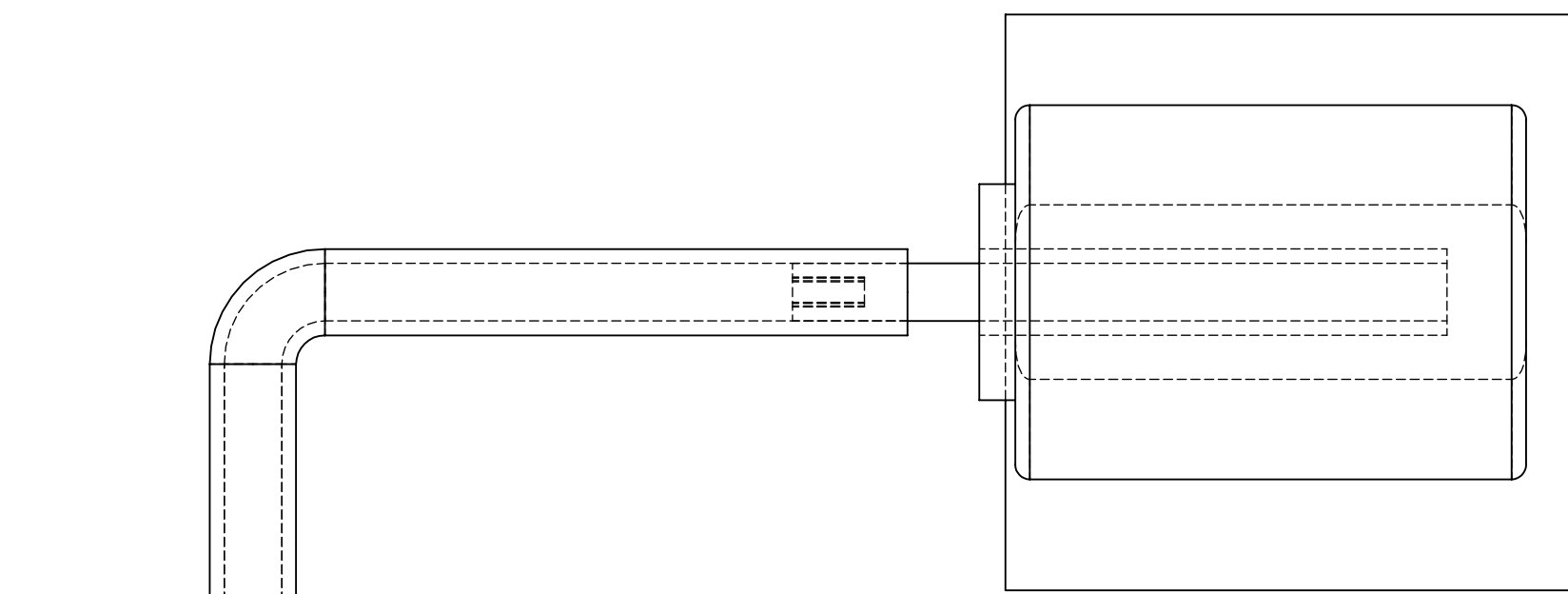
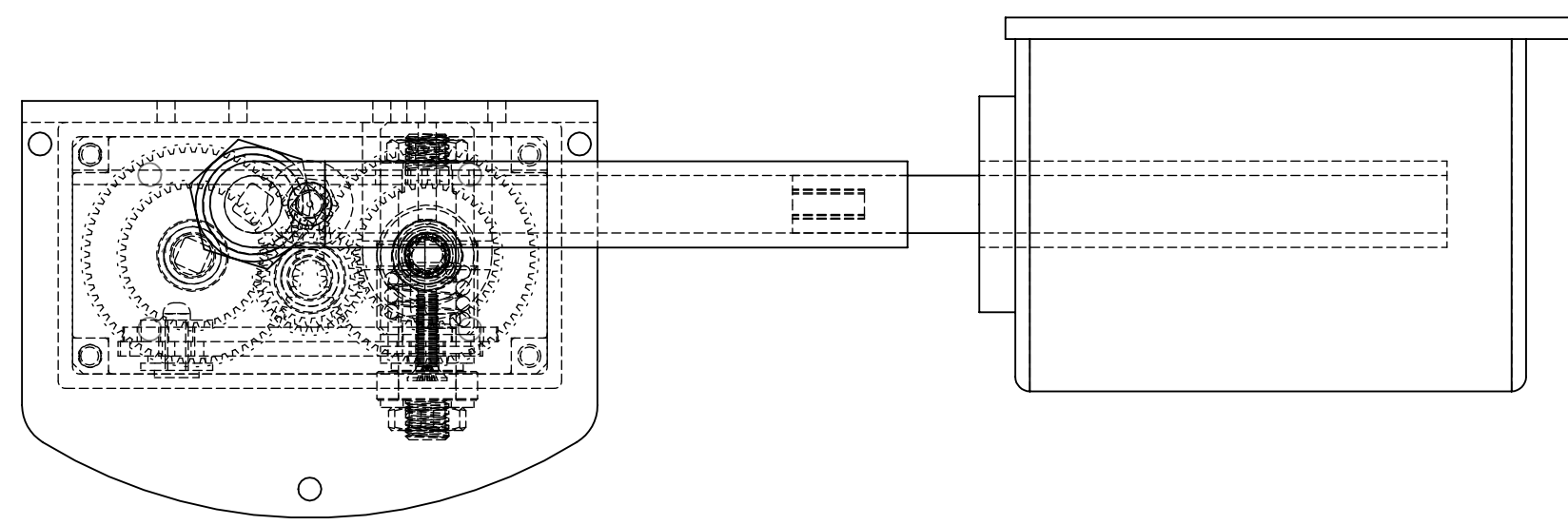


項次編號	零件名稱	描述	數量
1	Screw Nut	滑動螺帽	1
2	BR100503	軸承10x5x3	2
3	Lower limb BR140804	轉軸軸承	1
4	Washer L up Link 13x8	墊片 13x8	2
5	Rivet up Link	铆軸連接	1
6	Washer R up Link 13x5.5	墊片 13x5.5	1
7	Washer 10x3.2 R up Link	墊片 10x3.2	3
8	JIS 1111 Cross recessed countersunk head screw - M3 x 12 - Z --12S	M3斜頭螺絲	1
9	Axis	連桿轉軸	1
10	Rivet low Link	铆軸下連接	1
11	Axis Rivet mid Link	铆軸中間連接	1
12	BR140804	軸承10x5x3	1
13	Washer L up Link 13x6.7	墊片下連接 13x6.7	2
14	JIS B 1181 Hexagon thin nut - double chamfered A M6 --N	M6角螺帽	2
15	Axis block	主軸固定塊	1
16	JIS B 1512-1 - 376 - B, Full, SI, NC, Full_68	滾珠軸承	1
17	Link 91x13x2	上連桿	1
18	Link 52.5x13x2	中連桿	1
19	Link 154x13x2	下連桿	1
20	Cable AG-12	轉動頭	1
21	Motor	馬達	1
22	Wire-1	轉動線	1
23	Wire	包覆線	1
24	Motor axis	馬達主軸	1
25	Lead Screw short 6.35 12.7 120	主導桿	1
26	Nut Black0504	滑動塊	1
27	Lower limb Black0502	下固定塊	1
28	Frontboard0504	齒輪前板	1
29	Axis gear0504	齒輪軸心	2
30	Midboard0504	齒輪後板	1
31	Backboard0504	齒輪後板	1
32	Bushing	軸套	6
33	Bushing0604	軸套0604	2
34	JIS - Spur gear 0.5M 10T 20PA 24FW --- S10C75H50L0.8N	齒輪10Tx0.5xφ6	1
35	Axis gear0631	齒輪軸心0631	1
36	Hex co10504	六角輸出軸	1
37	One way BR100605	單向軸承10x6x5	5
38	JIS - Spur gear 0.5M 60T 20PA 5FW --- S60A75H50L10N	正齒輪60齒	2
39	JIS - Spur gear 0.5M 30T 20PA 5FW --- S30A75H50L10N	齒輪30T	1
40	JIS - Spur gear 0.5M 25T 20PA 5FW --- S25A75H50L6N	正齒輪25齒	1
41	JIS - Spur gear 0.5M 40T 20PA 5FW --- S40A75H50L10N	正齒輪40齒	2
42	Gear housing0504	齒輪盒	1
43	Leg shell10504	外殼	1
44	up cover0504	上蓋	1
45	Leg wal10504	內壁	1
46	low cover0504	下蓋	1
47	Spring 0504	彈簧	1



TOLERANCES	APPRO.	DATE	REV.	DATE	REV.	DATE	REV.
(UNLESS OTHERWISE SPEC.)	CHKD.		CUSTOMER P./N.				
	DSN.		REV.				
	DRN.		MATERIAL				
ANGS	DATE		DATE				