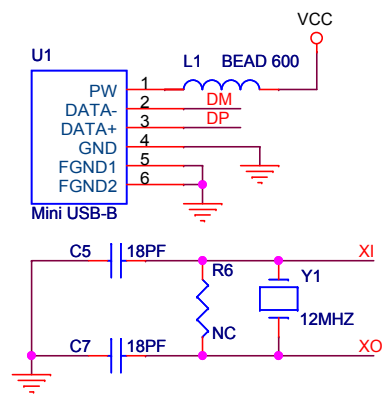


CFWRN trace surround with GND.

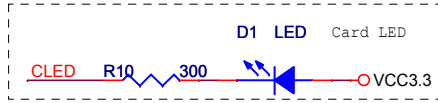
MSCLK trace surround with GND.

SD0CLK trace surround with GND.



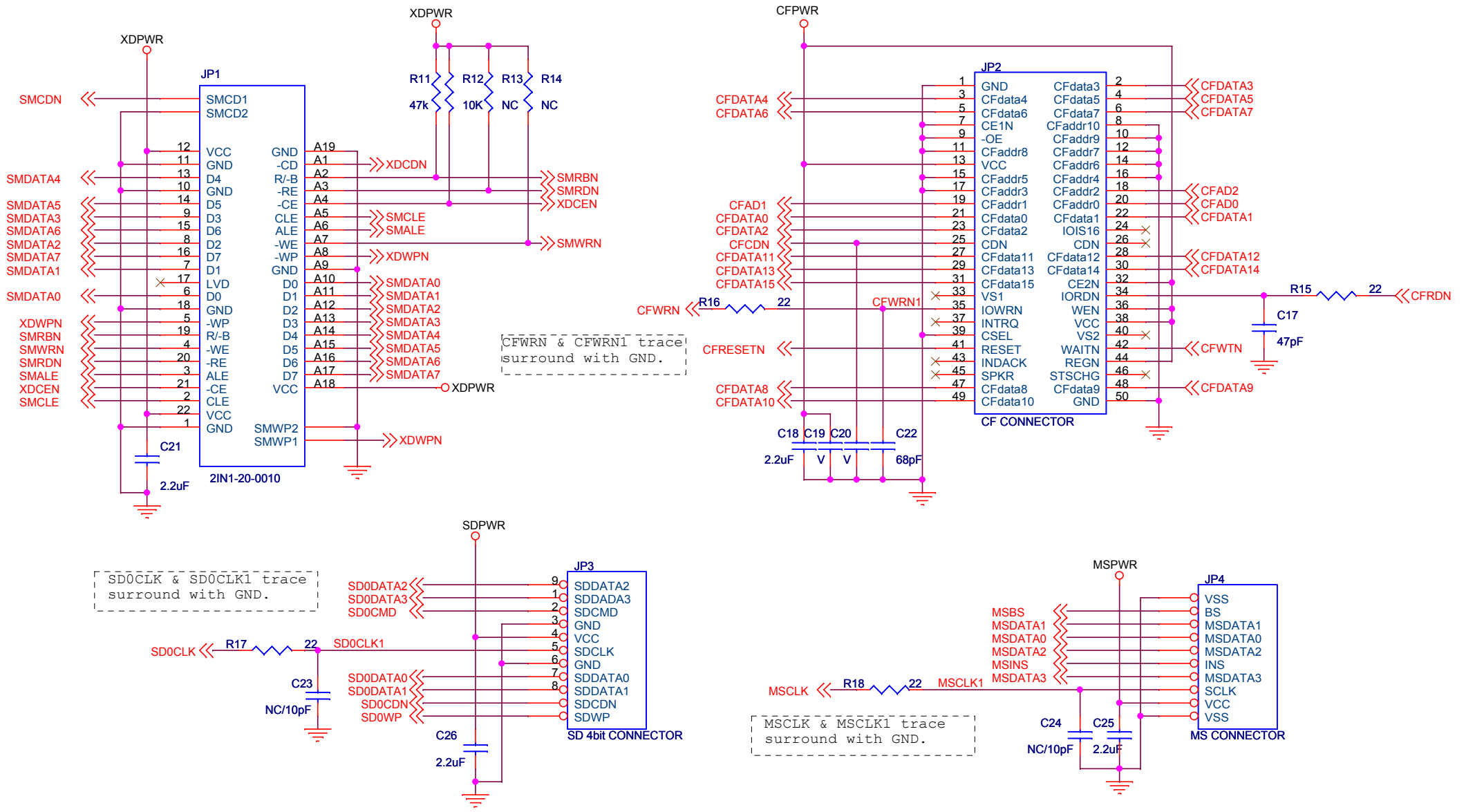
DECV R7 NC/0  
 USB current  
 1:100mA (Default)  
 0:250mA

XDCISN R9 NC/0 VCC3.3  
 Disable xD CIS checking  
 0:enable[Default]  
 1:disable



This schematic is for reference only.  
 Alcor Micro Corp. makes no warranty for the use of its products and bears no responsibility for any error that appear in this document. Specifications are subject to change without notice.

|                               |                                     |             |
|-------------------------------|-------------------------------------|-------------|
| Size<br>A4                    | Document Number<br>AU6475-GBL 80pin | Rev<br>1.00 |
| Date:<br>Monday, May 12, 2008 | Sheet<br>1                          | of<br>3     |



This schematic is for reference only. Alcor Micro Corp. makes no warranty for the use of its products and bears no responsibility for any error that appear in this document. Specifications are subject to change without notice.

|                               |  |                    |
|-------------------------------|--|--------------------|
| Size<br>A4                    | Document Number<br><b>AU6475-GBL 80pin</b> | Rev<br><b>1.00</b> |
| Date:<br>Monday, May 12, 2008 | Sheet<br>2                                 | of<br>3            |

**Version List:**

| ITEM | Version | Change | Reason      | DATE       | BY    |
|------|---------|--------|-------------|------------|-------|
| 1    | 1.00    |        | New release | 2008/05/12 | Avril |
|      |         |        |             |            |       |
|      |         |        |             |            |       |
|      |         |        |             |            |       |
|      |         |        |             |            |       |
|      |         |        |             |            |       |
|      |         |        |             |            |       |
|      |         |        |             |            |       |
|      |         |        |             |            |       |

|                            |   |              |
|----------------------------|---|--------------|
|                            |   |              |
| Title<br><Title>           |   |              |
| Size<br>A                  | Document Number<br>AU6475-GBL 80pin release history | Rev<br>1.00  |
| Date: Monday, May 12, 2008 |   | Sheet 3 of 3 |