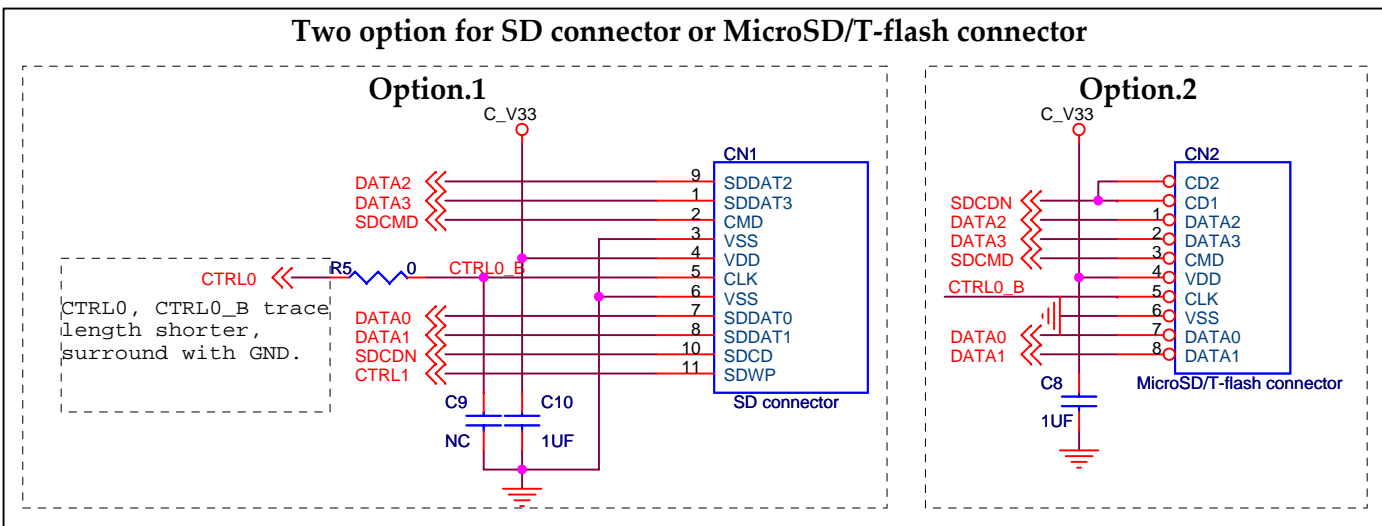
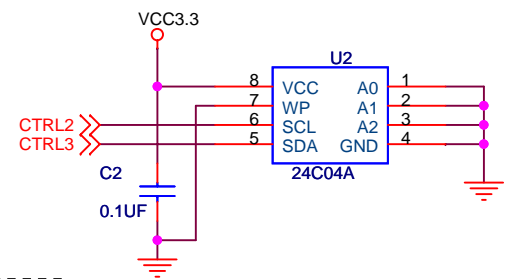




"SDWPEN" setting:
 'NC' For SD connector(Default)
 '0' For MicroSD/T-flash connector



Disclaimer: This schematic is for reference only. Alcor Micro Corp. makes no warranty for the use of its products and bears no responsibility for any error that appear in this document. Specifications are subject to change without notice.

Version List:

ITEM	Version	Change	Reason	DATE	BY
1	1.00		New release.	2009/12/30	Kenny

 		
Title		
<Title>		
Size	Document Number	Rev
A	AU6431-JCF 24PIN	1.00
Date:	Wednesday, February 24, 2010	Sheet 2 of 2