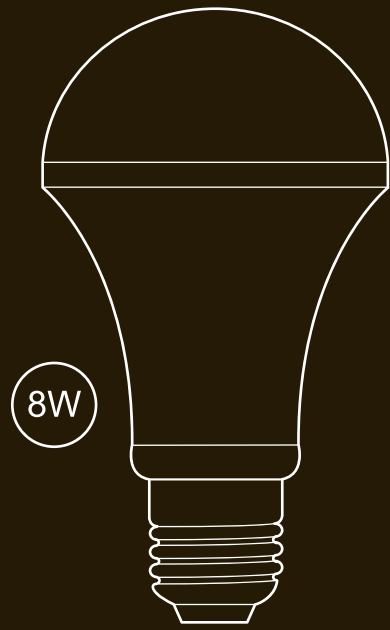


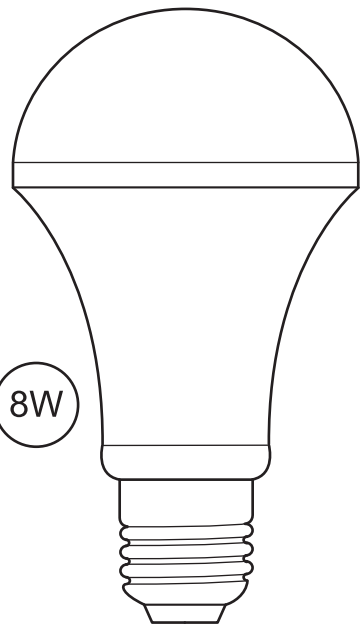
ARC
www.arclight.com.tw



8W

40,000 hr 600 lm
Global Leading In The LED Lighting

ARC
www.arclight.com.tw



8W

40,000 hr 600 lm
8W input to replace 40W incandescent lamp.
Further 80% power saving.

ARC Solid-State Lighting Corporation
Address : 14F-2, No.700, Zhongzheng Rd., Zhonghe Dist., New Taipei City 235, Taiwan
TEL : +886-2-82278217 FAX : +886-2-82273747 E-MAIL : info@arclight.com.tw



SPECIFICATIONS

Mechanical	Spec	Note
Shape	A19	
Weight	100g±10%	
Screw Base	<input type="radio"/> E26	
	<input type="radio"/> E27	
Electrical	Spec	Note
Input Voltage	<input type="radio"/> 100~120V <input type="radio"/> 200~240V	
Power Consumption	8W	
Power Factor	>0.9	
Optical	Spec	Note
Brightness/CCT	<input type="radio"/> 550lm @2700~3000K	Warm-white
	<input type="radio"/> 600lm @5000K	Cool-white
CRI	80	
Others	Spec	Note
Condition	-20°C~45°C	
Storage Temperature	-20°C~80°C	
Lifetime	40,000hr	
Dimming	Spec	Note
<input type="radio"/> Non-Dimming		
<input type="radio"/> Triac	Linear type	
<input type="radio"/> 4 Steps	100% / 70% / 40% / 12.5%	Function by the wall switch★

ARC Solid-State Lighting Corporation
Address : 14F-2, No.700, Zhongzheng Rd., Zhonghe Dist., New Taipei City 235, Taiwan
TEL : +886-2-82278217 FAX : +886-2-82273747 E-MAIL : info@arclight.com.tw



ARC
www.arclight.com.tw

