

HML PROFOLIO

2003

2010

WORKS

INTERIOR

GRAPHIC

JEWELRY

PRODUCT

PACKAGE

FURNITURE

....DESIGNs

INDEX

2003--Live/Work Space

2006--FURNITURE

2006--JEWELRY

2007--Josh公寓翻修

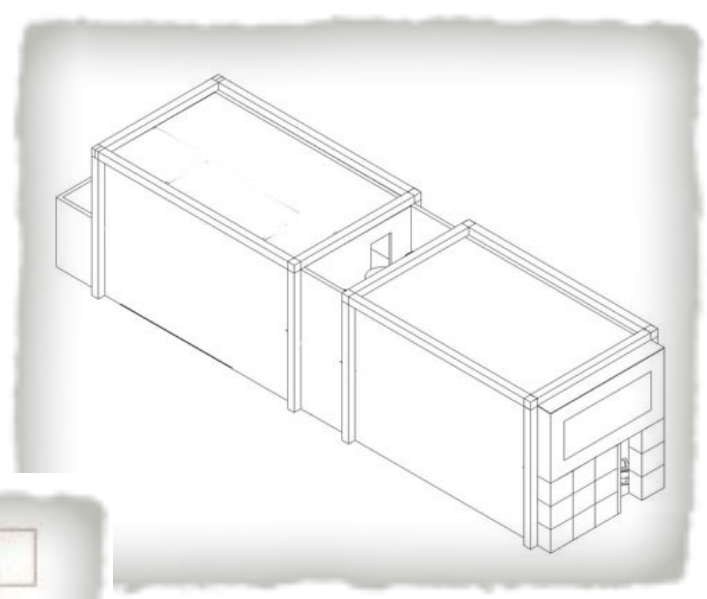
2007--Ferguson別墅

2008--BENCO貿易商杯具設計

2009--逢甲學生套房專案

2008~10--鄒公館自地自建商辦+住家

2003

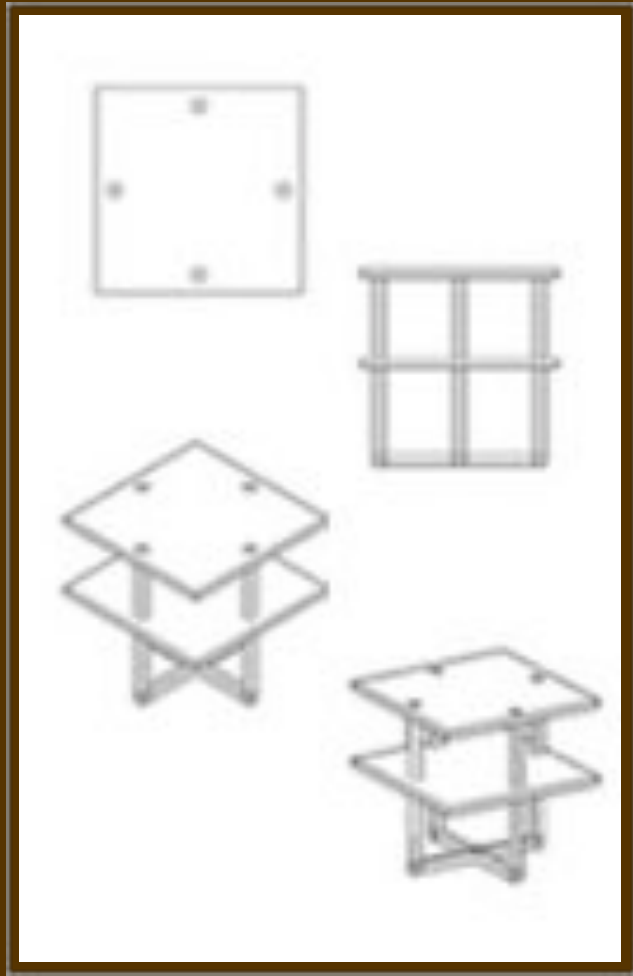




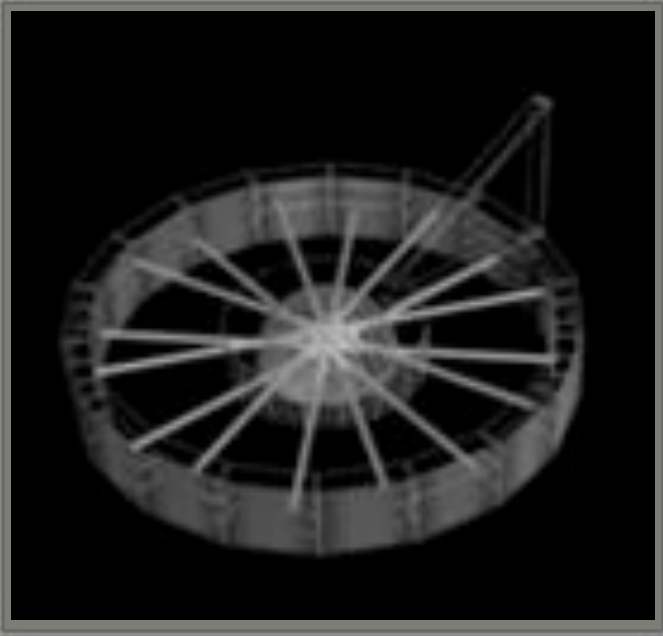
2003

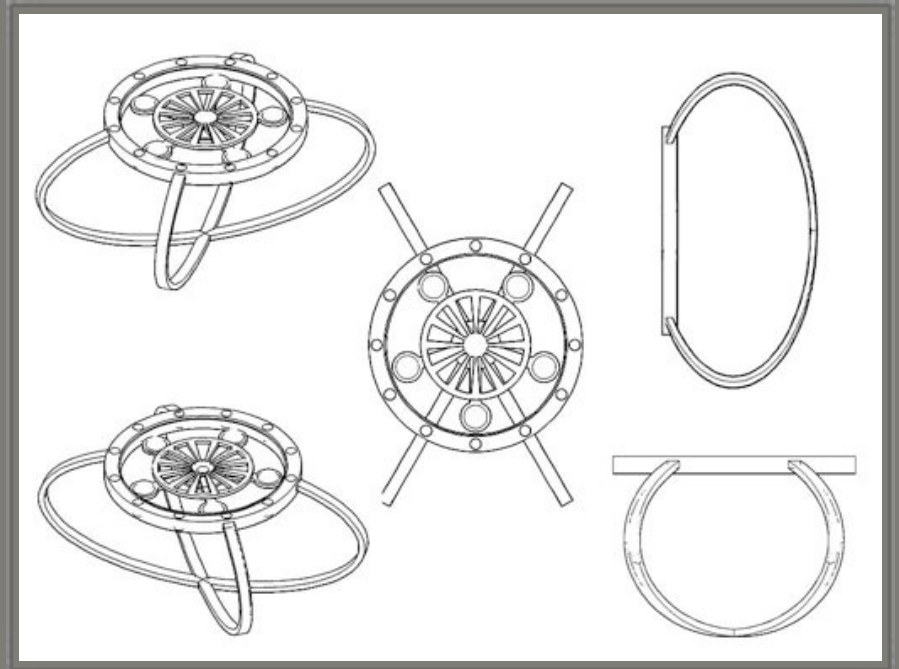
Live/Work Space Study

2006



2006





2007

Josh公寓翻修

Josh Maremont's Residence

Location: 1543 MCALLISTER STREET, SF, CA

One bedroom Remodel project for a couple who want make the place more orgaized, welcome, and open.

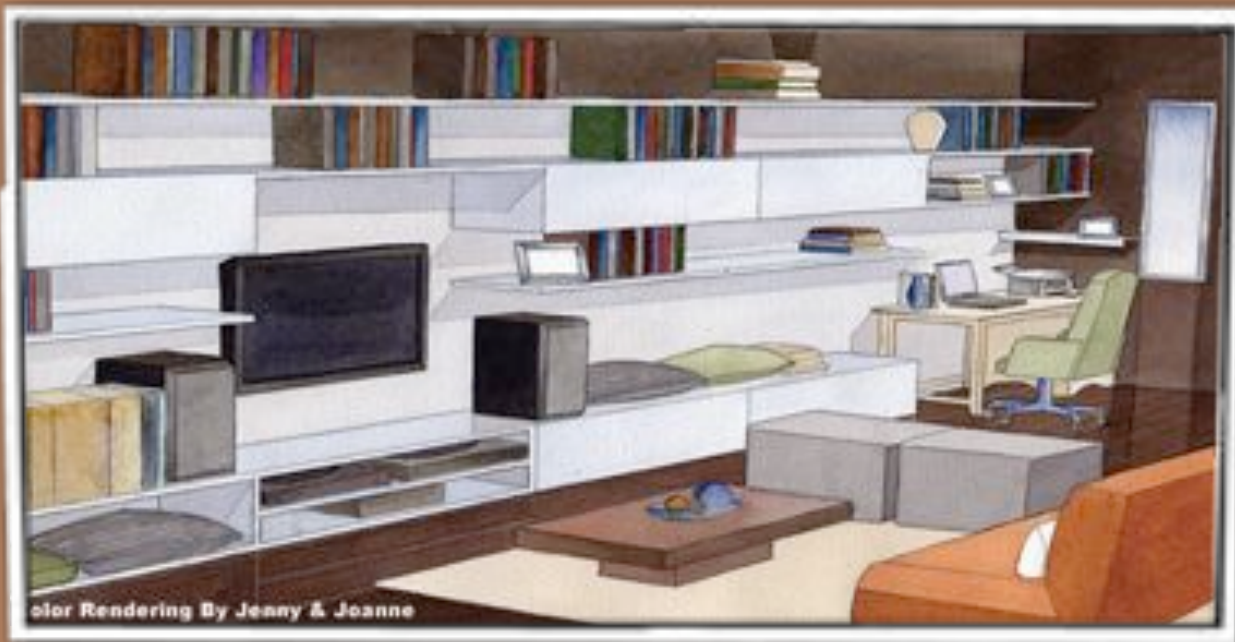


Color Rendering By Jenny & Joanne

before



after



after



before



BEDROOM





HALLWAY



BATHROOM



2007

FERGUSON HOUSE

21 COVE ROAD IN BELVEDERE, CALIFORNIA

REMODEL THE EXISTING TWO STORY RESIDENCE AND ESTABLISH A DESIGN THAT BLENDS THE ARCHITECTURE AND THE CLIENT'S PREFERRED DESIGN AESTHETIC.

DESIGN CONCEPT



OPEN

WELCOME INTEGRATE



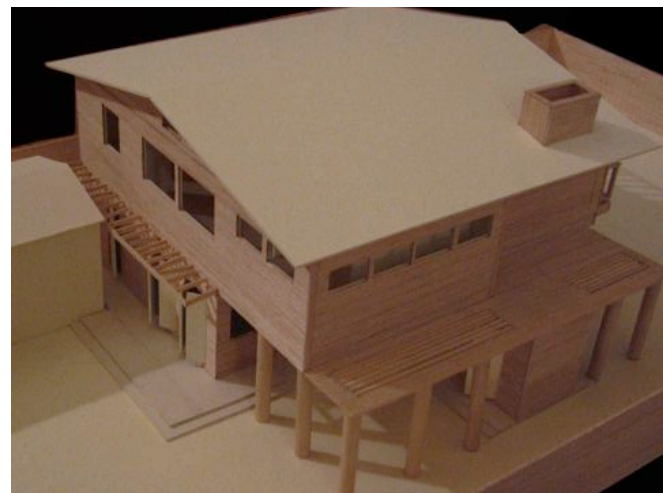


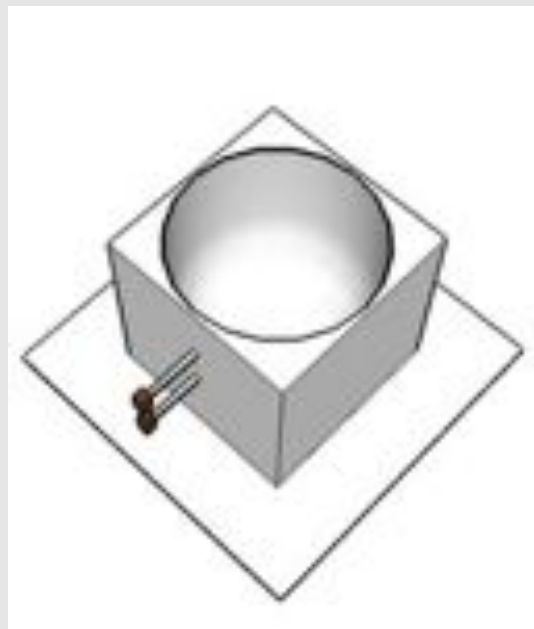
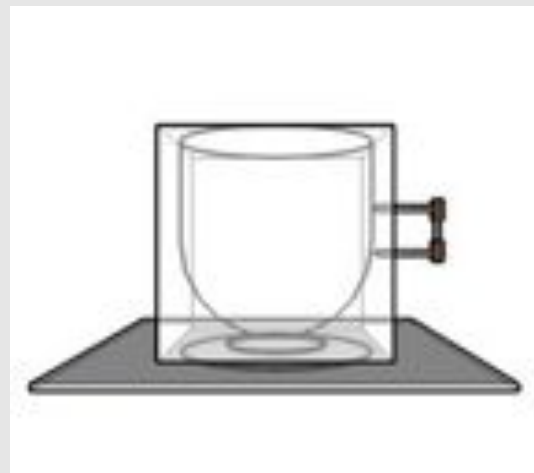
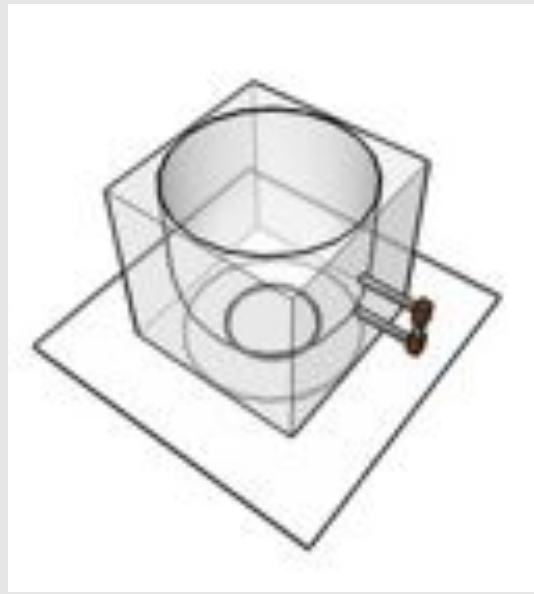
1ST FLOOR PLAN



2ND FLOOR PLAN

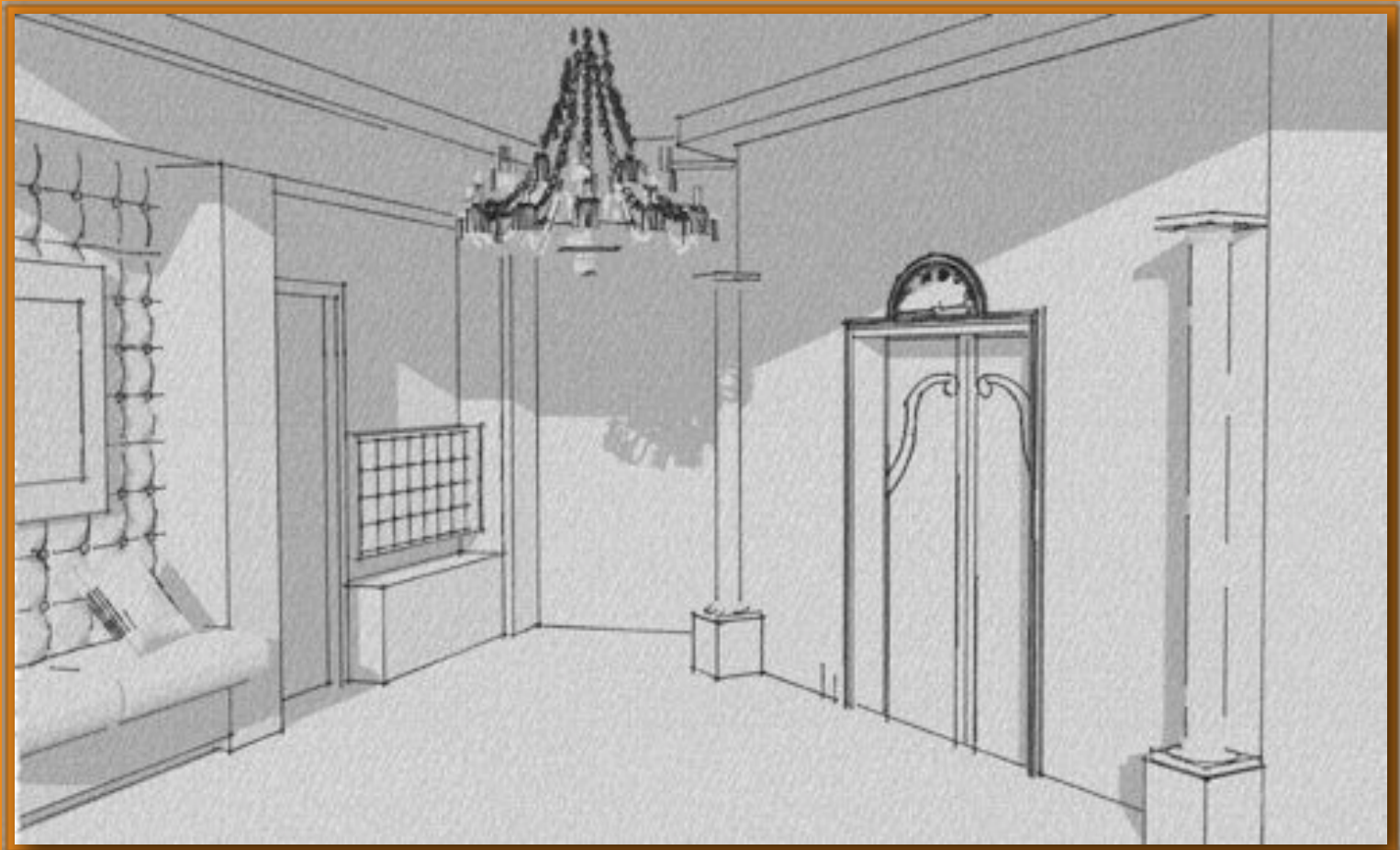
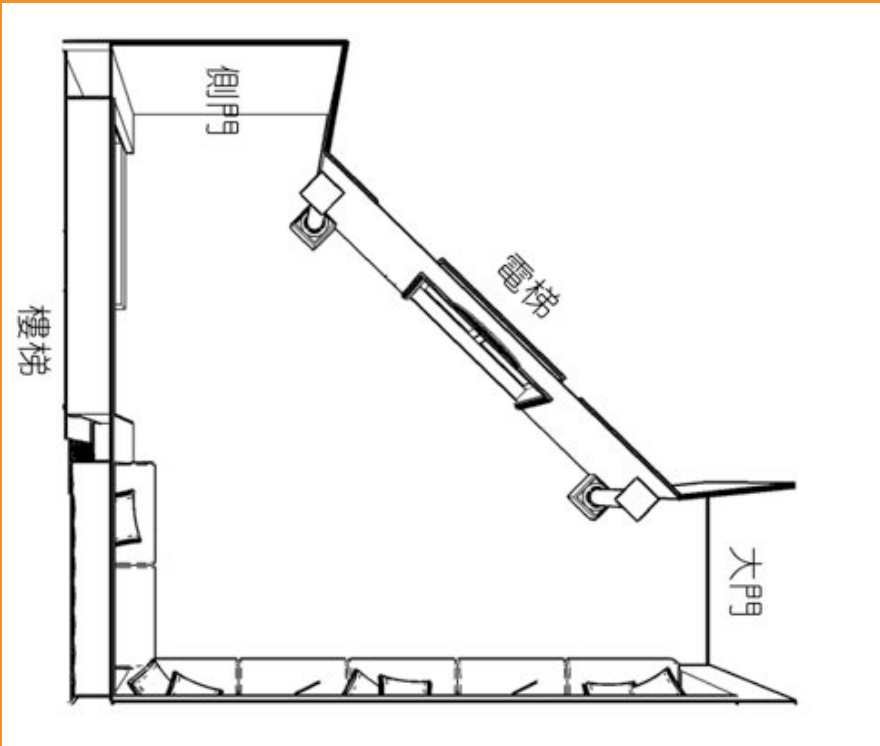








2009





樓層平面圖



套房106-立體平面彩圖



套房106-立面1



套房106-立面2



套房106-透視圖

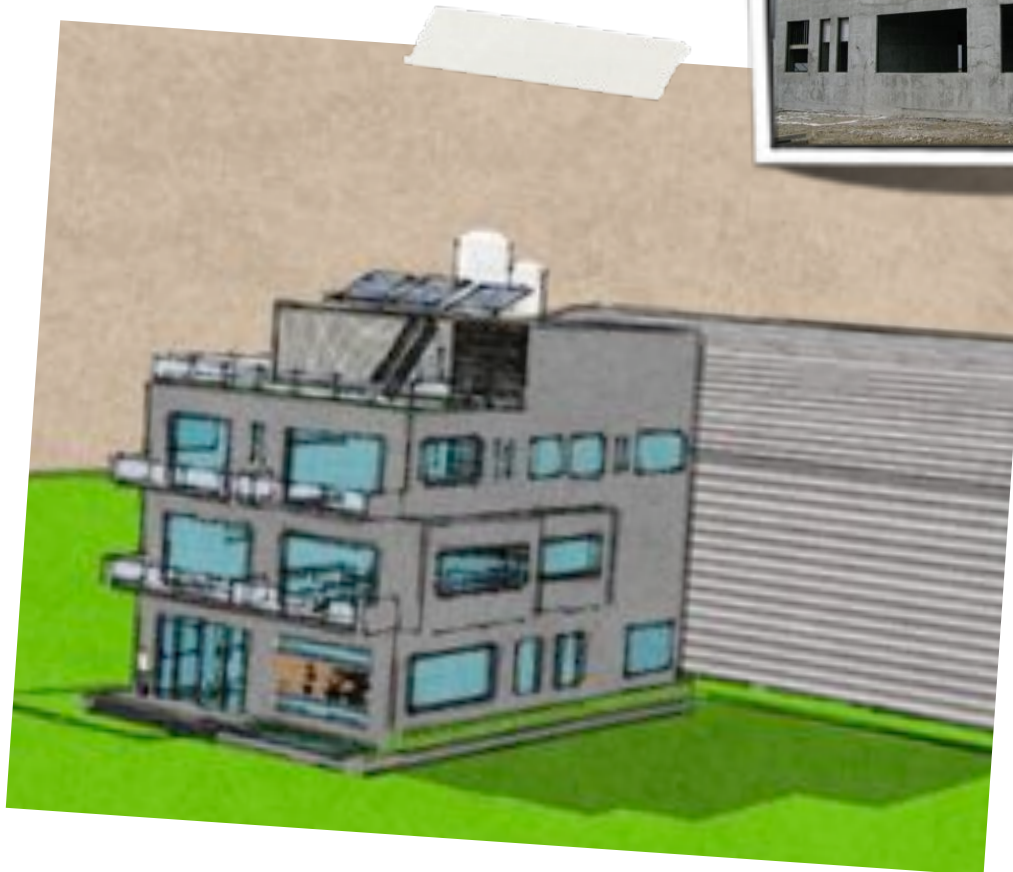
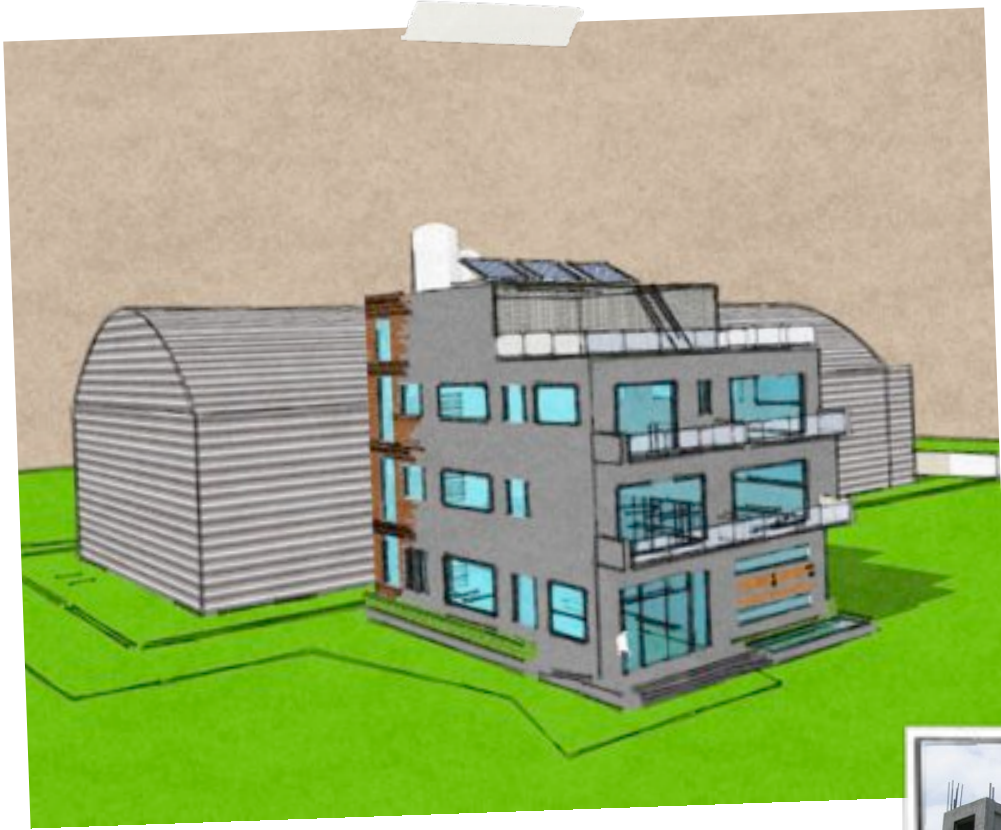


套房106-立面3

2008
2010

鄒公館自地自建商辦+住家

2008-2010









鄒公館自地自建商辦+住家

2008-2010

